

## Important

- **READ and FOLLOW ALL SAFETY INSTRUCTIONS.**
- **When using electrical equipment, safety precautions should always be observed.**
- **NO POWER TOOLS ARE TO BE USED FOR ASSEMBLING.**
- **The screws have NYLOK anti-loosening coating; use a screwdriver that has sufficient torque to tighten the screws.**
- **The trim screws must be tightened firmly to ensure good thermal contact.**
- **Do not over torque the screw to prevent stripping the threads.**

## Installation

**Step 1** Turn off or disconnect the electrical power.

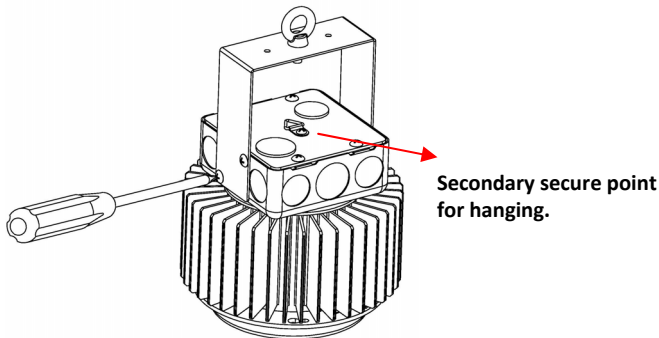
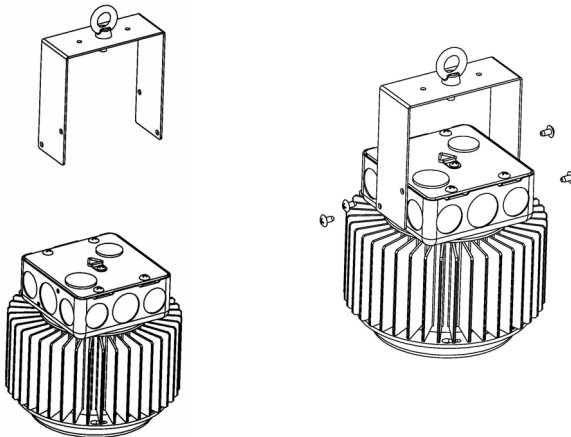
**Step 2** Ensure that the Product's input voltage matches or is compatible with the line voltage. Check the voltage rating on the Product Bar Code label. The Product only accepts 1  $\Phi$  (single phase) electricity.

*enLux Lighting is not responsible or liable for incorrect power connection.*

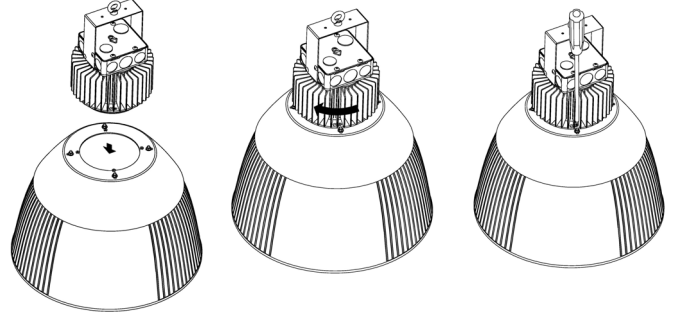


INPUT VOLTAGE  
120 Vac  
220 Vac  
277 Vac

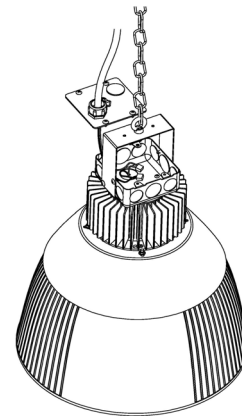
**Step 3** Assemble the hanging bracket to the LED light module. **When installing the hanging bracket, make sure the (4) self-tapping screws are tightened but not over torque.**



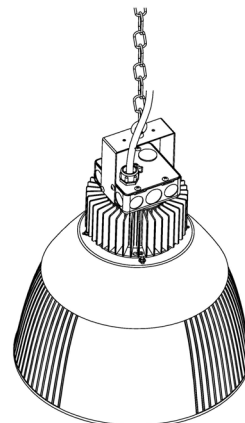
**Step 4** Install the LED light module to the trim. The screws have NYLOK anti-loosening coating, do not use small screwdrivers. **The (4) trim screws must be tightened firmly to ensure good thermal contact.**



**Step 5** Connect electrical wires in the junction box, and connect the secondary cable. Note that the secondary cable is mandatory.



**Step 6** Installation is completed.



**enLux Lighting is not responsible or liable for any injury or damage caused by improper installation of the trim and LED light module.**