

Important

- READ and FOLLOW ALL SAFETY INSTRUCTIONS.
- When using electrical equipment, safety precautions should always be observed.
- NO POWER TOOLS ARE TO BE USED FOR ASSEMBLING.
- The trim screws must be tightened firmly to ensure good thermal contact.
- Do not over torque the screw to prevent stripping the threads.

Installation

Step 1 Turn off or disconnect the electrical power.

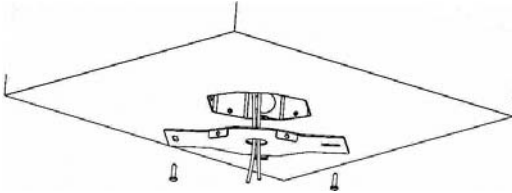
Step 2 Ensure that the product's input voltage matches, or is compatible, with the line voltage. Check the voltage rating on the product bar code label. The product only accepts 1 Φ (single phase) electricity.

enLux Lighting is not responsible or liable for incorrect power connection.

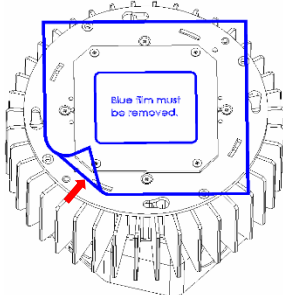


INPUT VOLTAGE
120Vac
277Vac
self select

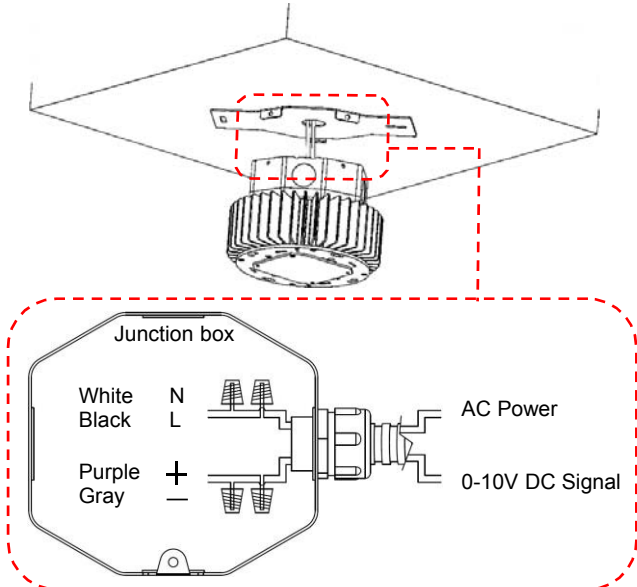
Step 3 If there is a junction box with electrical wires already embedded in the bottom surface of the concrete slab, first feed the wires through the center hole of the mounting bracket.



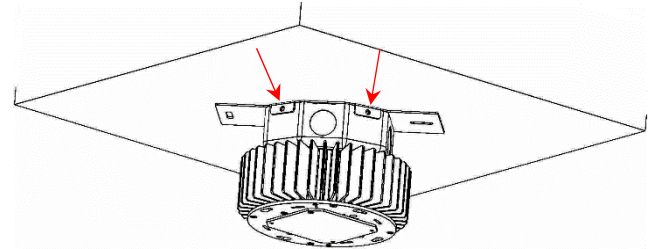
Step 4 Remove blue film.



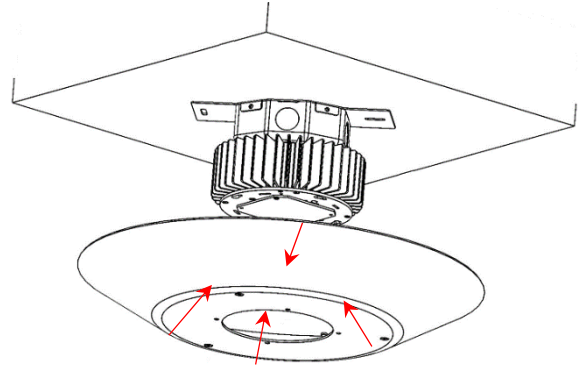
Step 5 Perform the electrical wire connections (black and white) to the junction box of the DL2e-PC light module. If 0-10V dimming is equipped, connect purple and gray wires.



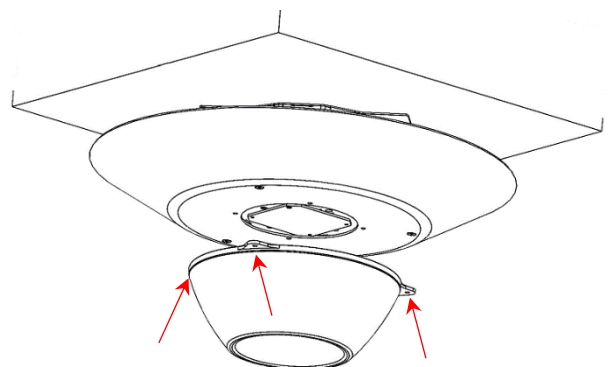
Step 6 Secure the light module junction box to the mounting bracket using (2) pan head M4x5 screws.



Step 7 Mount the trim to the light module. Quarter turn the trim to align with the screw holes, using (4) M4x6 hexagon socket bolt.



Step 8 Installation of lens using (3) M4x6 hexagon socket bolt.



Step 9 Installation is completed.

