

Important

- **READ and FOLLOW ALL SAFETY INSTRUCTIONS.**
- **When using electrical equipment, safety precautions should always be observed.**
- **NO POWER TOOLS ARE TO BE USED FOR ASSEMBLING.**
- **The screws have NYLOK anti-loosening coating; use a screwdriver that has sufficient torque to tighten the screws.**
- **The trim screws must be tightened firmly to ensure good thermal contact.**
- **Do not over torque the screw to prevent stripping the threads.**

Installation

Step 1 Turn off or disconnect the electrical power.

Step 2 Ensure that the Product's input voltage matches or is compatible with the line voltage. Check the voltage rating on the Product Bar Code label. The Product only accepts 1 Φ (single phase) electricity.

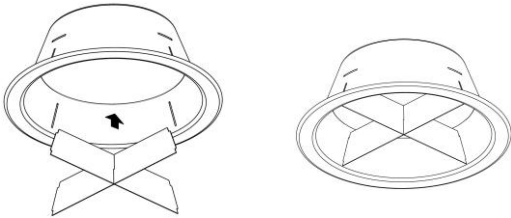
enLux Lighting is not responsible or liable for incorrect power connection.

DL2e 4000K 120/277V 42W
06/16/2017

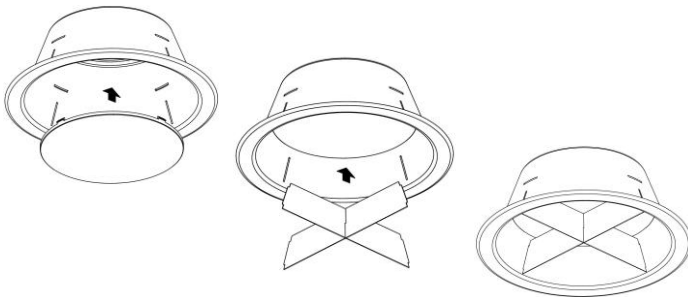
864379138388

INPUT VOLTAGE
120Vac
277Vac
self select

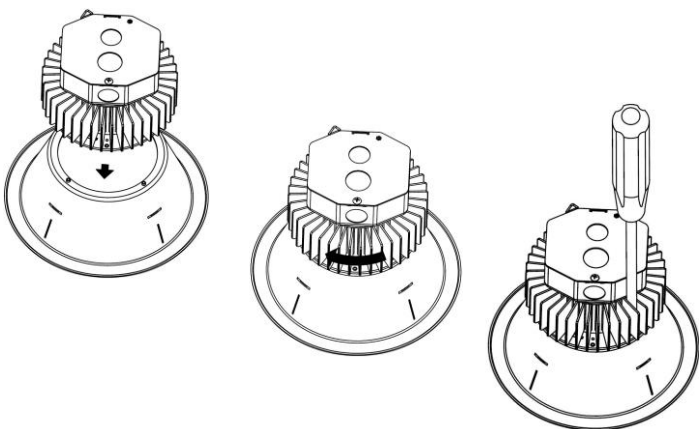
Step 3A Assemble the baffle into the tapered cone trim.



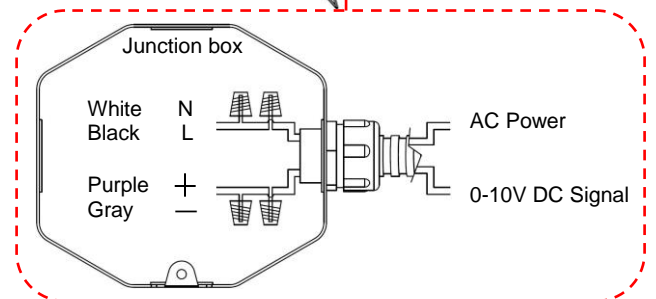
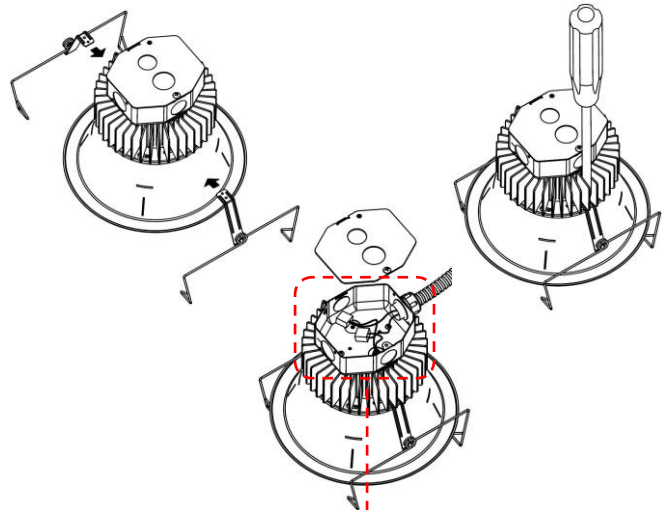
Step 3B (optional) Lens installation.



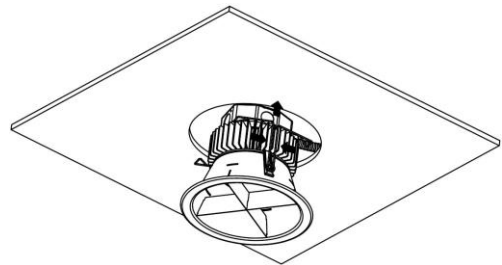
Step 4 Assemble LED light module and the tapered cone trim.



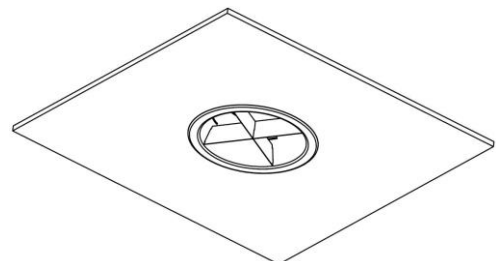
Step 5 Assemble M-springs and make white and black electric wire connections in the junction box. If 0-10V dimming control is equipped, make purple and gray signal wire connections in the junction box.



Step 6 Snap the M-Springs in the ceiling panel.



Step 7 Installation is completed.





Installation Manual for DL2e-28W-DC/ DL2e-42W-DC Down Light into a Ceiling Panel without a Recess Can Fixture

Important

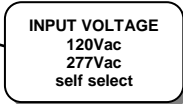
- **READ and FOLLOW ALL SAFETY INSTRUCTIONS.**
- **When using electrical equipment, safety precautions should always be observed.**
- **NO POWER TOOLS ARE TO BE USED FOR ASSEMBLING.**
- **The screws have NYLOK anti-loosening coating; use a screwdriver that has sufficient torque to tighten the screws.**
- **The trim screws must be tightened firmly to ensure good thermal contact.**
- **Do not over torque the screw to prevent stripping the threads.**

Installation

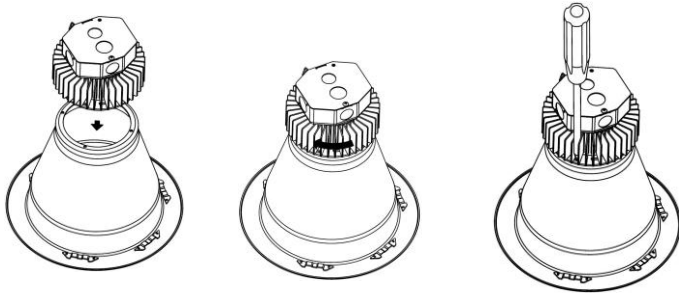
Step 1 Turn off or disconnect the electrical power.

Step 2 Ensure that the Product's input voltage matches or is compatible with the line voltage. Check the voltage rating on the Product Bar Code label. The Product only accepts 1 Φ (single phase) electricity.

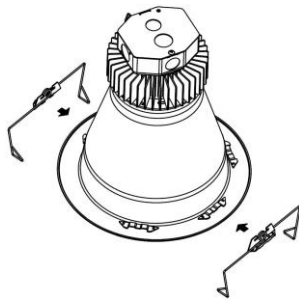
enLux Lighting is not responsible or liable for incorrect power connection.



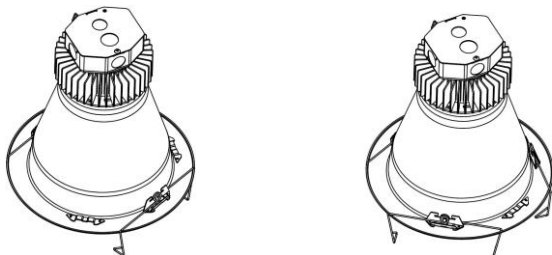
Step 3 Assemble LED module to the deep cone trim.



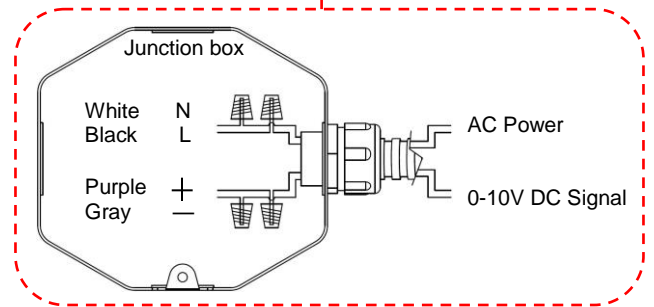
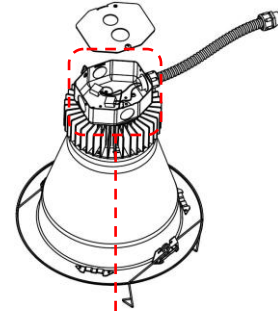
Step 4 Install M-springs onto the deep cone trim.



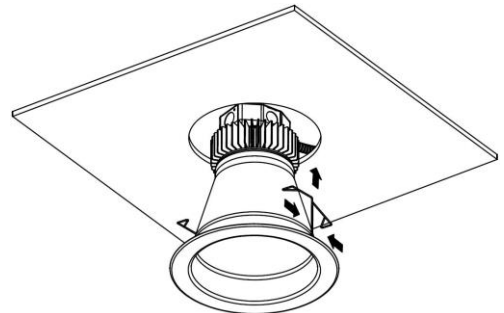
Install 2 M-springs for single Bx cable connection **Install 3 M-springs for multiple Bx cable connections**



Step 5 Make white and black electric wire connections in the junction box. If 0-10V dimming control is equipped, make purple and gray signal wire connections in the junction box.



Step 6 Snap the M-Springs in the ceiling panel.



Step 7 Installation is completed.

