

## Important

- **READ and FOLLOW ALL SAFETY INSTRUCTIONS.**
- **When using electrical equipment, safety precautions should always be observed.**
- **NO POWER TOOLS ARE TO BE USED FOR ASSEMBLING.**
- **The screws have NYLOK anti-loosening coating; use a screwdriver that has sufficient torque to tighten the screws.**
- **The trim screws must be tightened firmly to ensure good thermal contact.**
- **Do not over torque the screw to prevent stripping the threads.**
- **Only (1) BX Cable or MC Cable per downlight**

## Installation

**Step 1** Turn off or disconnect the electrical power.

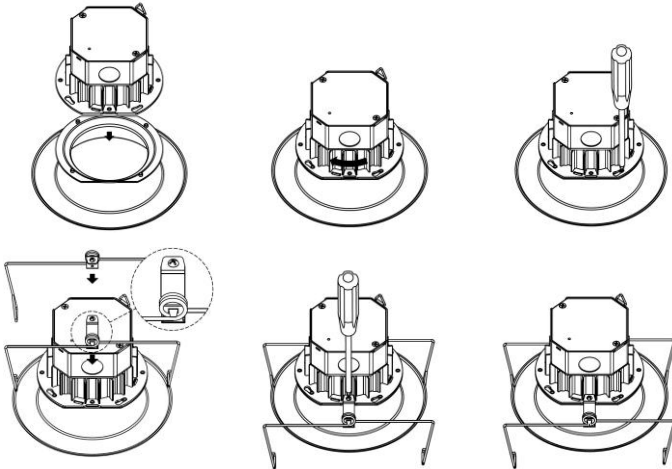
**Step 2** Ensure that the Product's input voltage matches or is compatible with the line voltage. Check the voltage rating on the Product Bar Code label. The Product only accepts 1  $\Phi$  (single phase) electricity.

*enLux Lighting is not responsible or liable for incorrect power connection.*



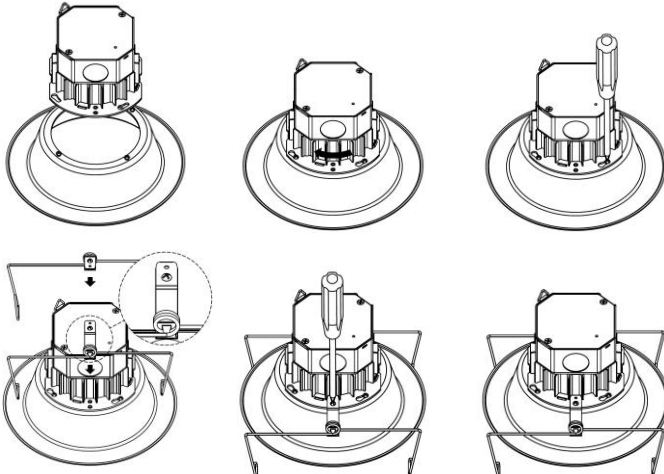
**Step 3** Assemble LED light module to the trim, then install the M-spring on to the Flat Side of the Heatsink.

### **DL1e-TC5**

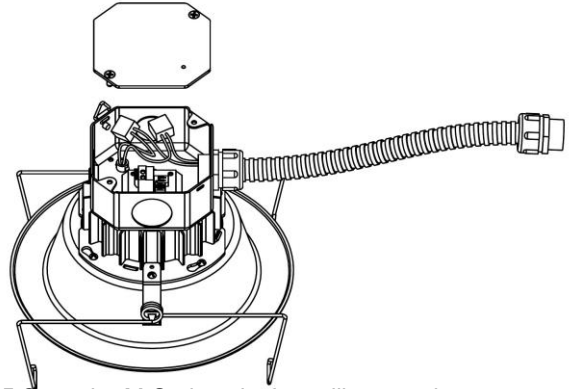


**Step 3** Assemble LED light module to the trim, then install the M-spring on to the Round Side of the Heatsink.

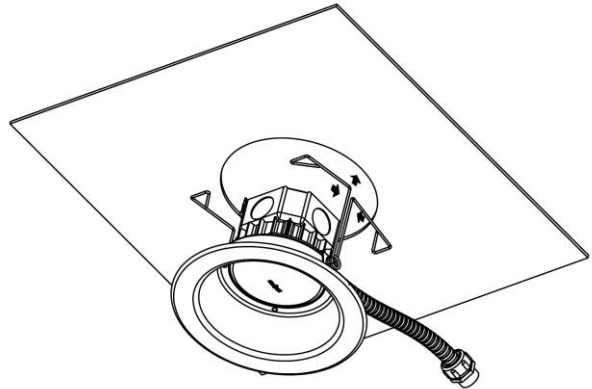
### **DL1e-TC6/8/9**



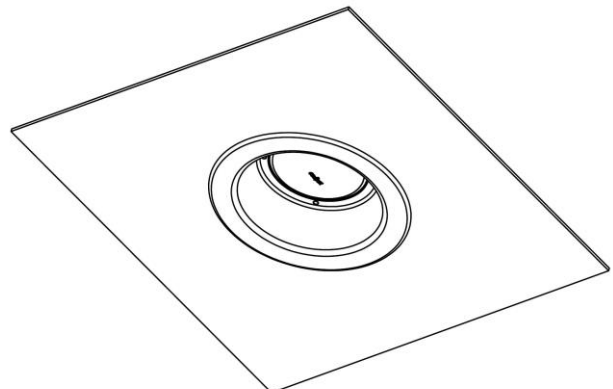
**Step 4** Make electric wire connections in the junction box. If 0-10V dimming option is equipped, the wire gauge for the 0-10V purple and gray wires **should not** be larger than 18 stranded copper wire or 20 gauge solid wire.



**Step 5** Snap the M-Springs in the ceiling panel.



**Step 6** Installation is completed.



## Important

- **READ and FOLLOW ALL SAFETY INSTRUCTIONS.**
- **When using electrical equipment, safety precautions should always be observed.**
- **NO POWER TOOLS ARE TO BE USED FOR ASSEMBLING.**
- **The screws have NYLOK anti-loosening coating; use a screwdriver that has sufficient torque to tighten the screws.**
- **The trim screws must be tightened firmly to ensure good thermal contact.**
- **Do not over torque the screw to prevent stripping the threads.**
- **Only (1) BX Cable or MC Cable per downlight**

## Installation

**Step 1** Turn off or disconnect the electrical power.

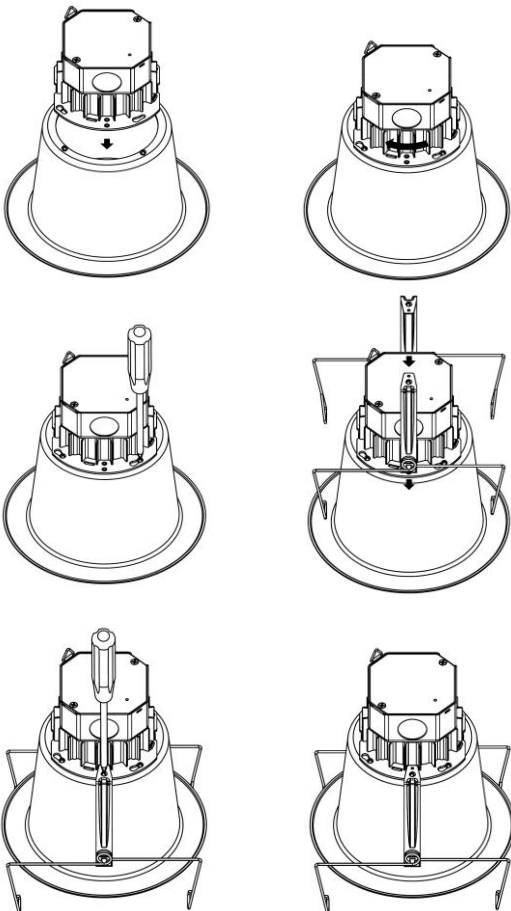
**Step 2** Ensure that the Product's input voltage matches or is compatible with the line voltage. Check the voltage rating on the Product Bar Code label. The Product only accepts 1  $\Phi$  (single phase) electricity.

*enLux Lighting is not responsible or liable for incorrect power connection.*

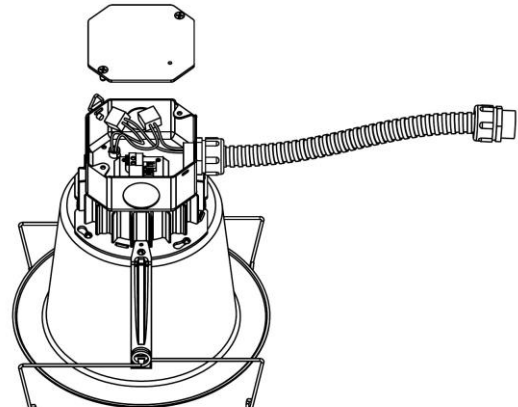


**Step 3** Assemble LED light module to the trim, then install the torsion springs on to the **Flat Side** of the heat sink.

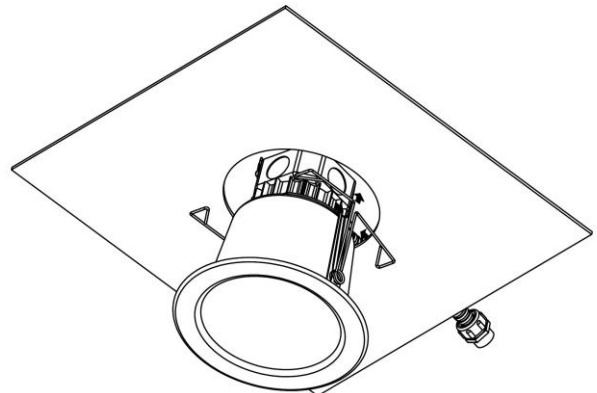
**DL1e-DC6/8**



**Step 4** Make electric wire connections in the junction box. If 0-10V dimming option is equipped, the wire gauge for the 0-10V purple and gray wires **should not** be larger than 18 stranded copper wire or 20 gauge solid wire.



**Step 5** Snap the M-Springs in the ceiling panel.



**Step 6** Installation is completed.

